



**MMFRLS-2Q-D**  
Stacking FRL with  
Polycarbonate Bowls and  
Automatic Drain

**MMFRLS-3Q-D**  
Stacking FRL with Bowl  
Shields and Automatic Drain



Stacking FRLs provide air filtration, regulation and lubrication in one unit for easy mounting and installation.

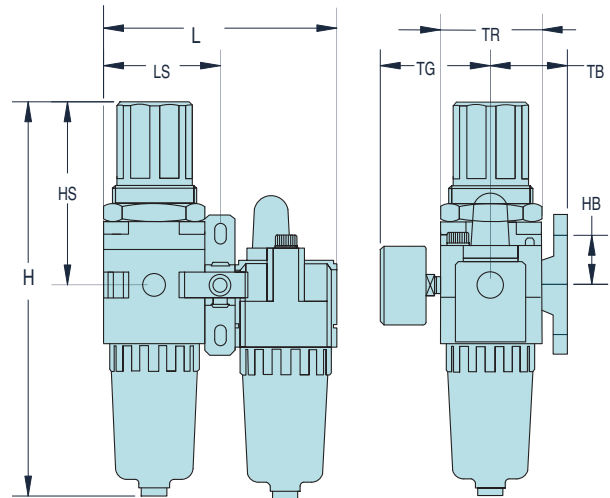
- Includes L bracket and gauge

**Bowl:** Polycarbonate standard. Steel shield provided on models indicated. Metal bowl with sight glass also available, add “-M” to the end of the Part Number.

**Regulating Range:** 7 to 100 psig on MMFRLS-1N, 7 to 125 psig on all others. 30 and 60 psig ranges also available, add “-P30” or “-P60” to the end of the Part Number.

**Drain:** Semi-Automatic standard on MMFRLS-3/4/5 series. Manual standard on all others. Optional Automatic Drain available—add “-D” to Part Number.

**Filtration:** 25 micron filter standard. Add “-F5” to the end of the Part Number for an optional 5 micron filter.



Drawing shown  
without Shield  
or Auto Drain

Dim.	MMFRLS-1N	MMFRLS-2	MMFRLS-3	MMFRLS-4Z			MMFRLS-5B
				MMFRLS-4W	MMFRLS-4A		
H	4.31	6.48	8.31	10.31	10.51	13.31	
HB	0.79	0.94	1.38	1.57	1.57	1.97	
HS	1.99	3.07	3.64	4.41	4.49	4.57	
L	2.28	3.54	4.61	6.06	6.46	7.68	
LS	1.14	1.77	2.30	3.03	3.23	3.84	
TB	0.98	1.18	1.61	1.97	1.97	2.75	
TG	1.02	2.24	2.39	2.58	2.74	2.97	
TR	0.98	1.57	2.09	2.76	2.76	3.54	

Port	Gauge Port	Flow Rate	Manual Drain	Semi-Auto Drain	Automatic Drain	Standard Bowl*	Gauge
#10-32	1/8" NPT	3 scfm - 90 l/min	<b>MMFRLS-1N</b>	-	-	Polycarbonate	<b>PG-10-160J</b>
1/8" NPT	1/8" NPT	18 scfm - 500 l/min	<b>MMFRLS-2P</b>	-	-	Polycarbonate	<b>PG-15-160P</b>
1/4" NPT	1/8" NPT	18 scfm - 500 l/min	<b>MMFRLS-2Q</b>	-	-	Polycarbonate	<b>PG-15-160P</b>
1/4" NPT	1/8" NPT	60 scfm - 1,700 l/min	-	<b>MMFRLS-3Q*</b>	<b>MMFRLS-3Q-D*</b>	Poly with Shield	<b>PG-15-160P</b>
3/8" NPT	1/8" NPT	60 scfm - 1,700 l/min	-	<b>MMFRLS-3W*</b>	<b>MMFRLS-3W-D*</b>	Poly with Shield	<b>PG-15-160P</b>
3/8" NPT	1/4" NPT	105 scfm - 3,000 l/min	-	<b>MMFRLS-4W*</b>	<b>MMFRLS-4W-D*</b>	Poly with Shield	<b>PG-20-160Q</b>
1/2" NPT	1/4" NPT	105 scfm - 3,000 l/min	-	<b>MMFRLS-4Z*</b>	<b>MMFRLS-4Z-D*</b>	Poly with Shield	<b>PG-20-160Q</b>
3/4" NPT	1/4" NPT	140 scfm - 4,000 l/min	-	<b>MMFRLS-4A-M</b>	<b>MMFRLS-4A-DM</b>	Poly with Shield	<b>PG-20-160Q</b>
1" NPT	1/4" NPT	180 scfm - 5,000 l/min	-	<b>MMFRLS-5B-M</b>	<b>MMFRLS-5B-DM</b>	Poly with Shield	<b>PG-20-160Q</b>

\* Add M to the end of the part number for Metal Bowl with Site Glass